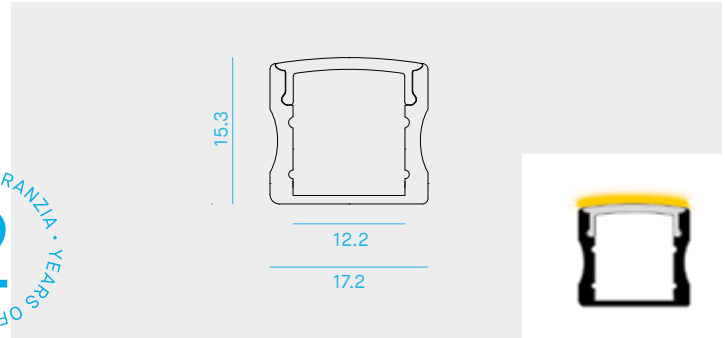


BARRA/STRIP/19

Code	Diffusore - Diffuser - Diffuseur - Diffusor	
BARRA/STRIP/19	trasparente - transparent - transparent - transparent	PC
BARRA/STRIP/19/S	opale - opal - opale - opal	PMMA
BARRA/STRIP/19/A	acidato - acid-etched - acidé - matt	PMMA

2 ANNI DI GARANZIA
2 YEARS OF WARRANTY



BI

Profilo in alluminio da superficie per striscia LED con diffusore trasparente, opale o acidato di 2m. Tappi (4 pz) e clip di fissaggio (4 pz) inclusi. Alluminio verniciato bianco.

Surface mounted aluminium profile for LED strip with transparent, opal or acid-etched diffuser of 2m. Fixing clips (4 pcs) and end caps (4 pcs) included. White painted aluminium.

Profil en aluminium longueur 2m pour installation bandeau LED en surface avec diffuseur transparent, opale ou acide. Embouts de fermeture (4 pcs) et clips de fixations (4 pcs) inclus. Aluminium peint blanc.

Aluminiumprofil für LED Lichtband mit transparent opal oder geätzt Diffusor 2m. Kappen (4 Stück) und Befestigungs-Clips (4 Stück) enthalten. Weiss lackiertes Aluminium.

KIT/CLIP/45



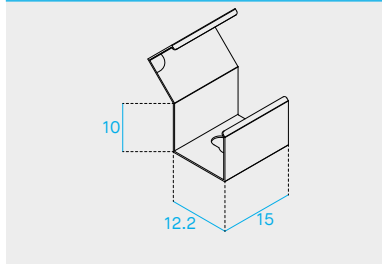
Code
KIT/CLIP/45

KIT/CLIP/45
Clip di fissaggio per inclinazione fissa a 45°. Idoneo per BARRA/STRIP/3, BARRA/STRIP/3E, BARRA/STRIP/19. n.2 clip in acciaio.

Fixing clip suitable for the installation at 45° of BARRA/STRIP/3, BARRA/STRIP/3E, BARRA/STRIP/19. n.2 steel clips.

Clips de fixation pour l'installation à 45° des codes BARRA/STRIP/3, BARRA/STRIP/3E, BARRA/STRIP/19. n.2 clips.

Befestigungsclip für fixe Neigung 45° Geeignet für BARRA/STRIP/3, BARRA/STRIP/3E, BARRA/STRIP/19. 2 Stahlklammern.



KIT/CLIP/180



Code
KIT/CLIP/180

KIT/CLIP/180
Clip di fissaggio orientabile +/-90°. Idoneo per BARRA/STRIP/3, BARRA/STRIP/3E, BARRA/STRIP/19. n.2 clip in acciaio.

Adjustable +/-90° fixing clip suitable for the installation of BARRA/STRIP/3, BARRA/STRIP/3E, BARRA/STRIP/19. n.2 steel clips.

Clips de fixation pour l'installation à +/- 90° des codes BARRA/STRIP/3, BARRA/STRIP/3E, BARRA/STRIP/19. n.2 clips.

Verstellbarer Befestigungsclip +/- 90° Geeignet für BARRA/STRIP/3, BARRA/STRIP/3E, BARRA/STRIP/19. 2 Stahlklammern.

